

## GP6000E

### GP SERIES Commercial/Residential Portable Generators

### Features

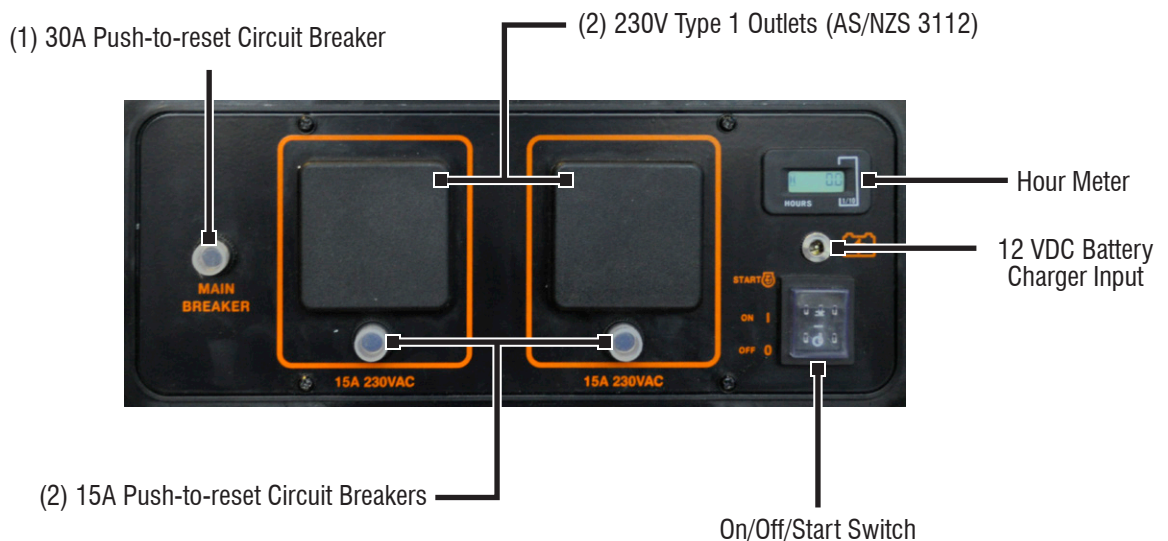
- **The Generac OHV engine** with splash lubrication provides a long engine life.
- **One-touch automatic electric start** with external plug-in battery charger to keep battery charged and ready to go.
- **Large-capacity steel fuel tank** with incorporated fuel gauge provides durability and extended run times.
- **Low-oil level shutdown** automatically safeguards engine from damage.
- **Covered outlets** provides added protection from the environment.
- **Hardened 1 1/4" steel tube cradle** for added strength and durability.
- **Fold-down, locking handle** for sturdy portability and compact storage.
- **Heavy-duty, never-flat wheels** for reliable portability.
- **Circuit breaker protected outlets.**
- **Hour meter** tracks usage and monitors maintenance cycles.

Model 6427-0 UPC: 696471064278  
Australia/New Zealand



**AC Rated Output Running Watts 6000**  
**AC Maximum Output Starting Watts 9000**

### Control Panel



# GP6000E

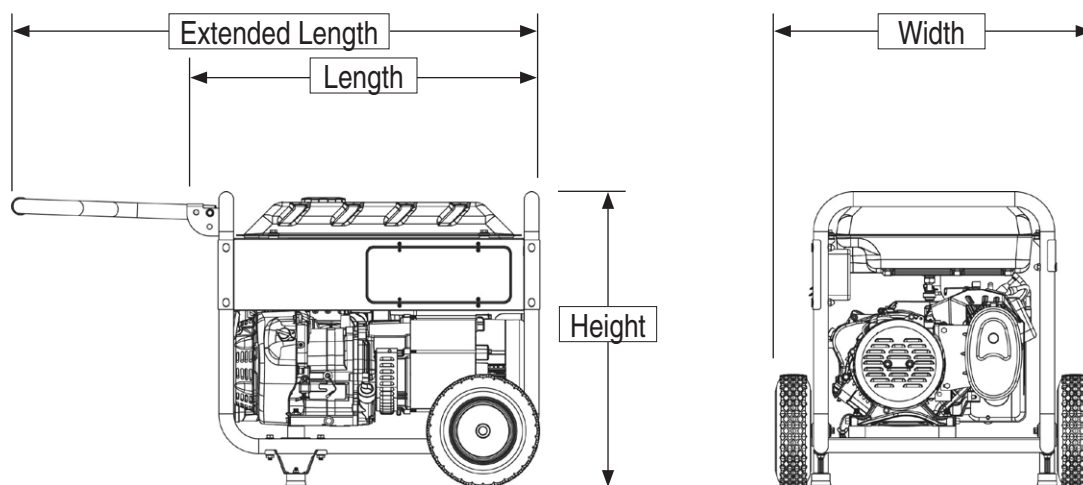
## Specifications

Product Series	GP6000E
Model	6427-0
Configuration/Emissions	C-TICK
AC Rated Output Running Watts:	6000
AC Maximum Output Motor Starting Watts:	9000
AC Voltage	230 VAC
AC Frequency	50 Hz
Rated VAC Amperage	26.1
Engine Displacement	420cc
Engine Type	OHV
Engine RPM	3000
Recommended Oil	10W-30 / SAE30
Lubrication Method	Splash
Automatic Voltage Regulation (AVR)	Yes
Choke Location	On Engine
Fuel Shut Off	On Engine
Starting Method	Electric/Recoil Pull Start
Battery	Yes
Battery Type	12 VDC, 9AH
Battery Wall Charger Adapter	Included
Low Oil Shutdown Method	Low Level

Start Switch Type	On/Off/Start Switch
Switch Location	On Control Panel
Fuel Gauge	Built-In Tank
Fuel Tank Capacity Ltrs (Gal)	28.4 (7.5)
Run Time at 50% (Hours)	10.5
Handle Style	Fold-down Locking
Wheel type mm (in)	241 (9.5) Solid
Maintenance Kit	Sold separately
Warranty - Residential	2 Year Ltd
Warranty - Commercial	1 Year Ltd

## Dimensions and Weights

Length mm (in)	692 (27.25)
Width mm (in)	687 (27)
Height mm (in)	638 (25)
Extended Length mm (in)	1135 (44.75)
Carton Length mm (in)	802 (31.5)
Carton Width mm (in)	559 (22)
Carton Height mm (in)	614 (24)
Unit Weight kg (lbs)	89 (195.5)
Shipping Weight kg (lbs)	97 (214)



**GENERAC**<sup>®</sup>

Generac Power Systems, Inc. • P.O. Box 8, Waukesha, WI 53187 • generac.com

©2013 Generac Power Systems, Inc. All rights reserved. All specifications are subject to change without notice. Bulletin 0197850SBY-B / Printed in U.S.A. 09/24/13